

PRODUCT DATA SHEET



LİNEER LED RD-M-1000 SERIES



LUMINARE DETAILS

HOUSING
PMMA cover
Aluminium eloxal body

VOLTAGE
24 VDC

WORKING
TEMPERATURE

COLOR TEMPERATURE

2700 K
3000 K
4000 K
5000 K
RGB
RGBW

COVER TYPE

Clear CO
Opal MO

MOUNTING

Surface mounted

APPLICATIONS

Indoors
Outdoors

CONTROL SYSTEM

1-10V
DMX
ON/OFF

OPTIONAL ACCESSORIES

Power supply



3000K



4000K



5000K



RGB



IP40



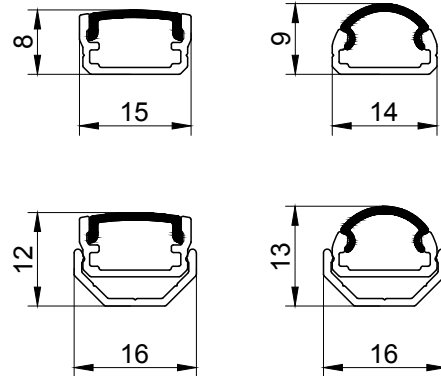
III

RoHS



F

CE



RD M 1000 SERIES					
ORDER CODE	LED/MT	LED	LUMEN/MT	POWER CONSUMPTION	IP RATE
RD-M-1000.01	48 LED/MT	3014	350 LM/MT	5 W/MT	IP 40
RD-M-1000.02	60 LED/MT	3014	440 LM/MT	6 W/MT	IP 40
RD-M-1000.03	72 LED/MT	3014	520 LM/MT	8 W/MT	IP 40
RD-M-1000.04	120 LED/MT	3014	840 LM/MT	12 W/MT	IP 40
RD-M-1000.05	60 LED/MT	3528	360 LM/MT	5 W/MT	IP 40
RD-M-1000.06	120 LED/MT	3528	720 LM/MT	10 W/MT	IP 40
RD-M-1000.07	60 LED/MT	3022	1140 LM/MT	15 W/MT	IP 40
RD-M-1700.01	60 LED/MT	5050	RGB	15 W/MT	IP 40
RD-M-1700.02	60+60 LED/MT	5050+3528	RGBW	15+5 W/MT	IP 40