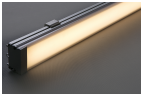


# PRODUCT DATA SHEET



## SLIM WALLWASHER RW-S-1000 SERIES



### LUMINAIRE DETAILS

HOUSING  
U PMMA cover  
Aluminium eloxal body

CONSTANT CURRENT  
350 mA

### COLOR TEMPERATURE

2700 K  
3000 K  
4000 K  
5000 K

### COVER TYPE

Mat Opal MO  
Clear CO

### MOUNTING

Surface Mounted

### APPLICATIONS

Outdoors

### CONTROL SYSTEM

1-10V  
DALI  
ON/OFF

### OPTIONAL ACCESSORIES

Power supply

### BEAM ANGLE

10°	22° x 116°
25°	14° x 34°
46°	



3000K



4000K



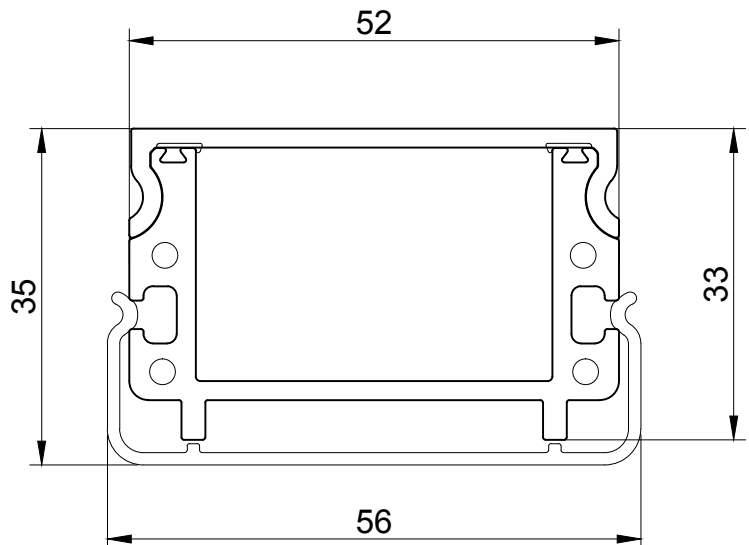
5000K



RoHS



CE



RW-S-1000 SERIES						
ORDER CODE	LED/MT	LUMEN/MT	POWER CONSUMPTION	COLOR TEMPERATURE	LENTHS (mm)	IP RATE
RW-S-1000.27	6 LED/MT	810 LM/MT	7 W/MT	2700	270	IP 67
				3000		IP 67
				4000		IP 67
				5000		IP 67
RW-S-1000.50	12 LED/MT	1620 LM/MT	14 W/MT	2700	500	IP 67
				3000		IP 67
				4000		IP 67
				5000		IP 67
RW-S-1000.73	18 LED/MT	2430 LM/MT	20 W/MT	2700	730	IP 67
				3000		IP 67
				4000		IP 67
				5000		IP 67
RW-S-1000.97	24 LED/MT	3240 LM/MT	27 W/MT	2700	970	IP 67
				3000		IP 67
				4000		IP 67
				5000		IP 67