

INGROUND LIGHT
COB TYPE

product overview



96



98



100



102



103



104



105



106

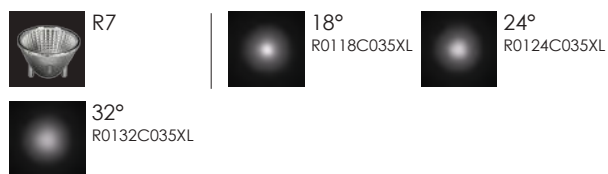


108

COB LED Inground Light



OPTICS



LED COLOUR TEMPERATURE

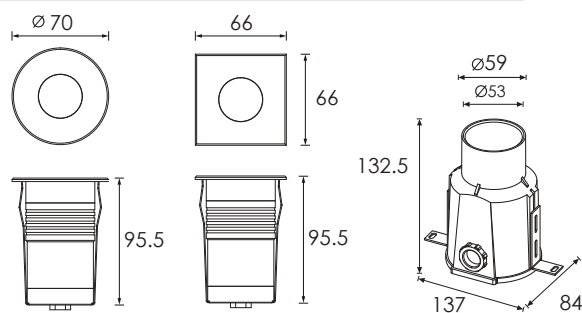
2000K · 3000K · 6000K

MATERIAL SPECIFICATIONS

- HOUSING** | 12# Die-casting dark grey powder coated aluminum
T=60-80µm, Adhesion of ISO class 1/ASTM class 4B
- FRONT RING** | Hard chromeplated stainless steel SUS 316#
- LIGHT WINDOW** | Tempered frosted step glass, T=7mm
- REFLECTOR** | Optical Reflector efficiency ≥ 90%
- LED** | NICHIA COB
- GLASS PRESSURE CAPACITY** | Full area = 783kgs
- CABLE GLAND** | IP67 Copper and nicked coated
- GASKET** | Molding shaped silicone seal
- LED DRIVER** | Constant Voltage Input, Constant Current Output
- OPERATING TEMPERATURE** | -20°C ~ 40°C
- POWER CABLE** | H05RN-F 2X1.0mm² L=0.5m (low voltage)
H05RN-F 3X1.0mm² L=0.5m (high voltage)
- MOUNTING SLEEVE** | ABS 065#

OUTER DIMENSIONS & ACCESSORIES

Unit:mm

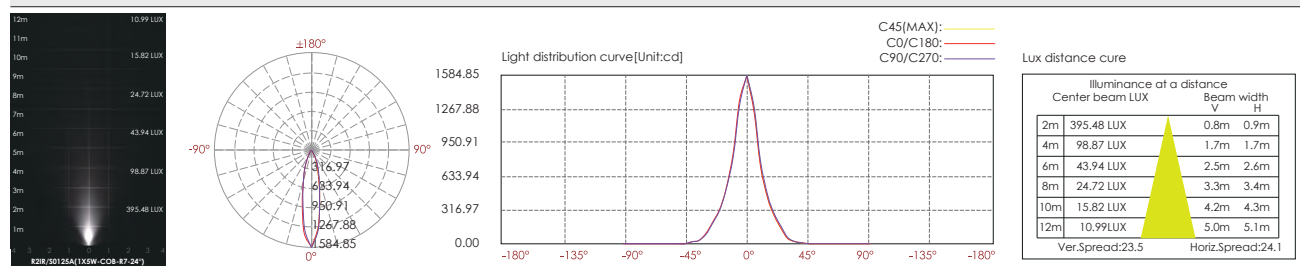


• R2IR0125 A • R2IS0125 A Mounting Sleeve 065#

TECHNICAL DATA

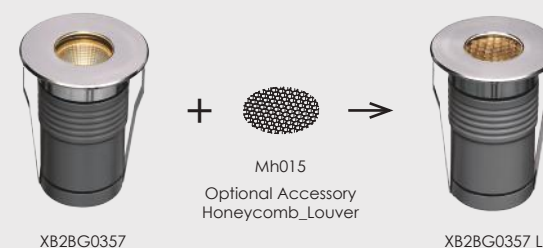
ITEM	LIGHT SOURCE	REFLECTOR	LENS DEGREE(°)Ø1/2	INPUT VOLTAGE(V)	OPERATING CURRENT(MA)	CONSUMPTION(W)	LUMINANCE(LM)	IK
R2IR0125 A R2IS0125 A	1×5W COB	R7	24°	24V DC 120/240	24V = 265 120V = 52 240V = 32	24V = 6.3 120V = 6.5 240V = 6.7	Cool White = 506 Warm White = 442	08

PHOTOMETRIC CURVES



OPTIONAL HONEYCOMB LOUVER

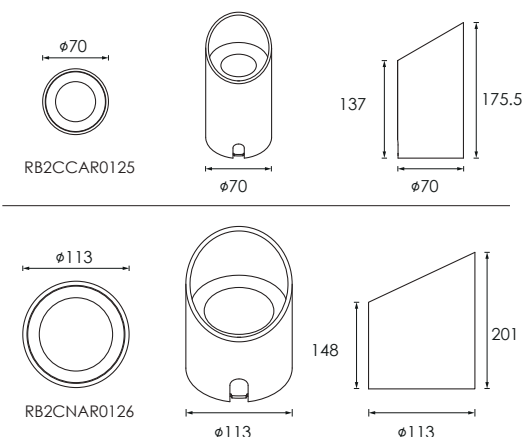
Product Overview



Surface Mounted Wall Washing Light



OUTER DIMENSIONS & ACCESSORIES Unit:mm



LED COLOUR TEMPERATURE

3000K · 6000K

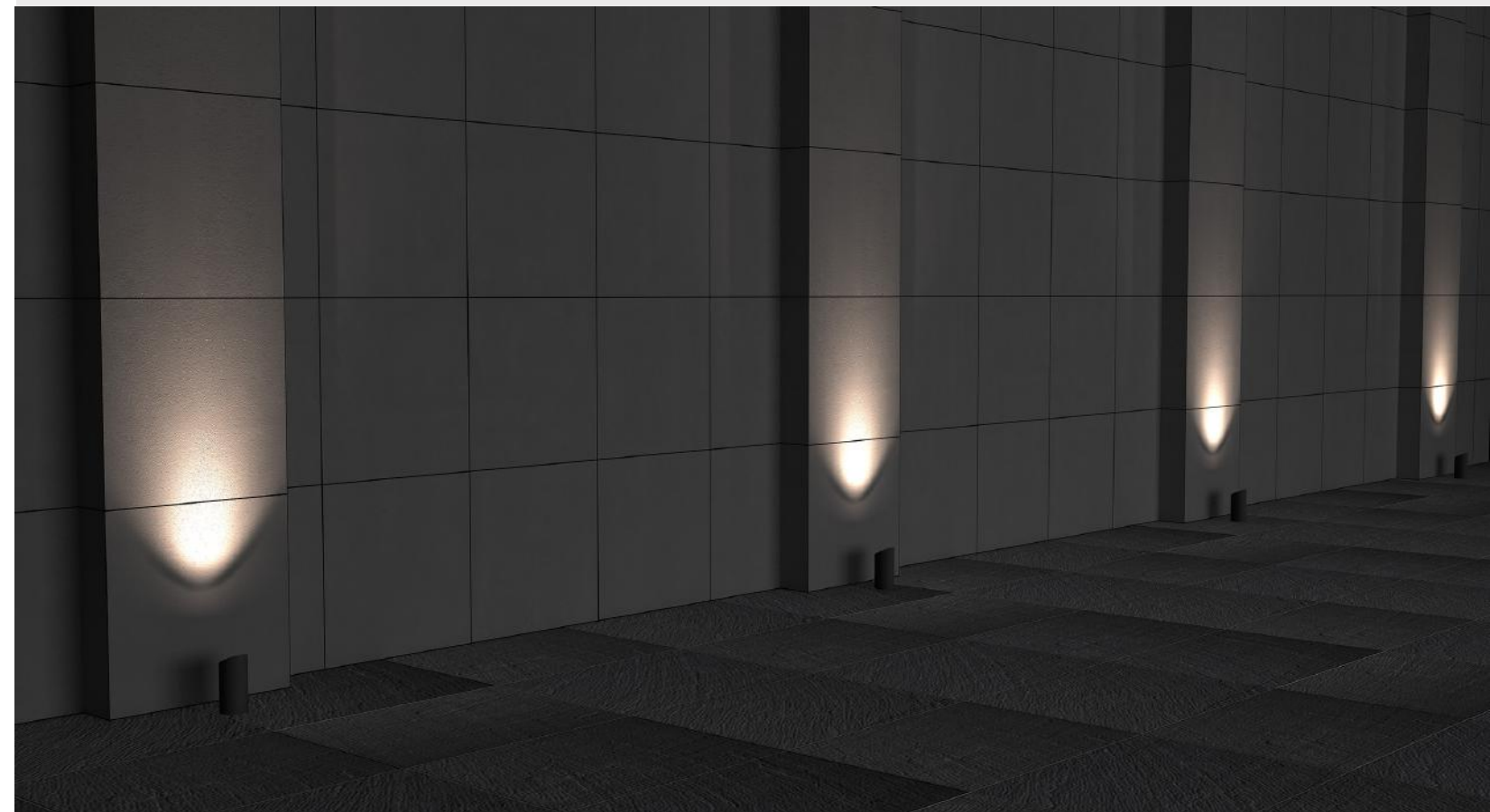
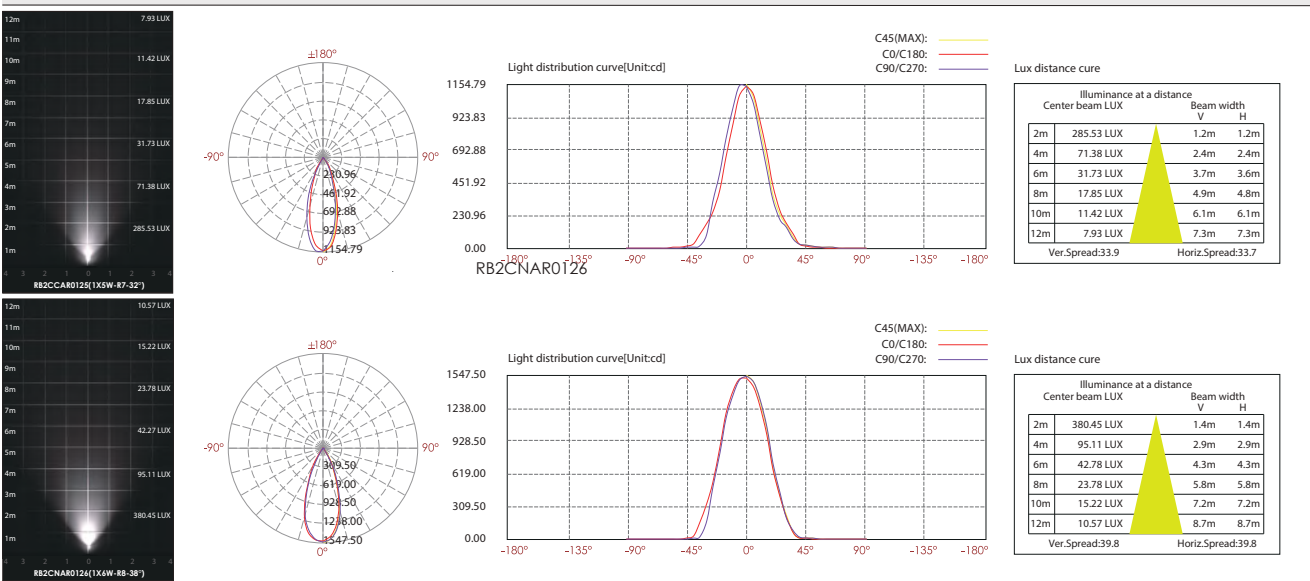
MATERIAL SPECIFICATIONS

- HOUSING** | 12# Die-casting dark grey powder coated aluminum
T=60-80μm, Adhesion of ISO class 1/ASTM class 4B
- GLASS** | 1 Step tempered glass, T=4mm
- REFLECTOR** | Optical Reflector efficiency ≥ 90%
- LED** | Multi chip on board LED
- LED DRIVER** | Constant Voltage Input, Constant Current Output
- OPERATING TEMPERATURE** | -20°C ~ 40°C
- POWER CABLE** | H05RN-F 2X1.0mm² L=0.5m (low voltage)
H05RN-F 3X1.0mm² L=0.5m (high voltage)
- DIMMABLE SUPPORT** | Triac PWM 1-10V Dali

TECHNICAL DATA

ITEM	LIGHT SOURCE	LENS	LENS DEGREE(°)Ø1/2	INPUT VOLTAGE(V)	OPERATING CURRENT(MA)	CONSUMPTION(W)	LUMINANCE(LM)	IK
RB2CCAR0125	1×5W	R7	32°	24V DC 120/240	24V = 265 120V = 52 240V = 32	24V = 6.1 120V = 6.5 240V = 6.7	460	06
RB2CNAR0126	1×6W	R8	38°	24V DC 120/240	24V = 320 120V = 72 240V = 40	24V = 7.5 120V = 8.2 240V = 8.5	722	08

PHOTOMETRIC CURVES



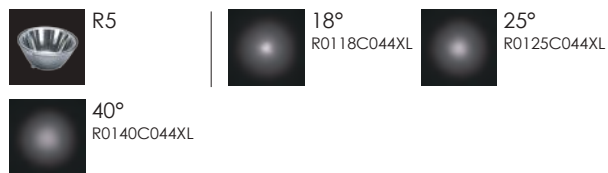
OPTICS



COB LED Inground Light



OPTICS



LED COLOUR TEMPERATURE

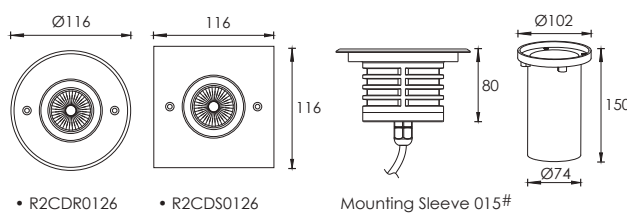
3000K · 6000K

MATERIAL SPECIFICATIONS

- HOUSING** | 12# Die-casting dark grey powder coated aluminum T=60-80µm.
- FRONT RING** | Hard chromeplated Stainless steel SUS 316L#
- LIGHT WINDOW** | Tempered frosted step glass.T=8mm
- CABLE GLAND** | IP68 PG-9 PA66
- GLASS PRESSURE CAPACITY** | Full area=2578kgs
- LED** | NICHIA COB
- PCB** | Excellent heat conductivity aluminum coefficient of heat Conductivity≥2.0w/mk
- LED DRIVER** | Constant Voltage Input,Constant Current Output
- REFLECTOR** | Optical Reflector efficiency≥90%
- OPERATING TEMPERATURE** | -20°C~40°C
- POWER CABLE** | H05RN-F 2X1.0mm2 L=0.5m(low voltage)
H05RN-F 3X1.0mm2 L=0.5m(high voltage)
- MOUNTING SLEEVE** | ABS 015#

OUTER DIMENSIONS & ACCESSORIES

Unit:mm

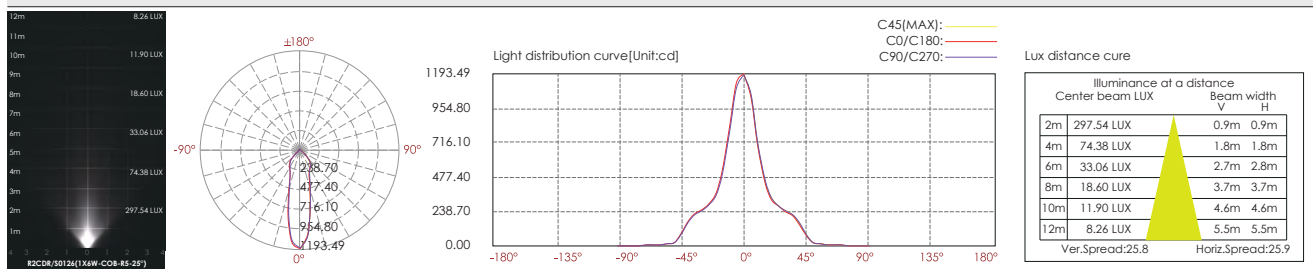


- R2CDR0126
- R2CDS0126
- Mounting Sleeve 015#

TECHNICAL DATA

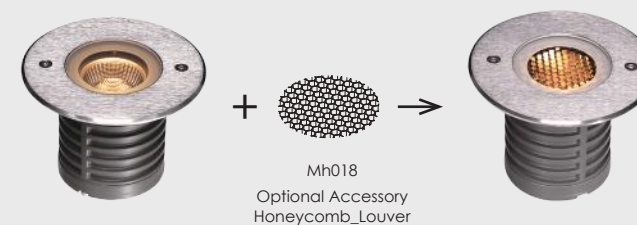
ITEM	LIGHT SOURCE	REFLECTOR	LENS DEGREE(°)1/2	INPUT VOLTAGE(V)	OPERATING CURRENT(MA)	CONSUMPTION(W)	LUMINANCE(LM)	IK
R2CDR0126 R2CDS0126	1×6W COB	R5	25°	24V DC 120/240	24V = 270 120V = 65 240V = 37	24V = 6.5 120V = 7.7 240V = 7.8	Cool White = 760 Warm White = 660	09

PHOTOMETRIC CURVES



OPTIONAL HONEYCOMB LOUVER

Product Overview

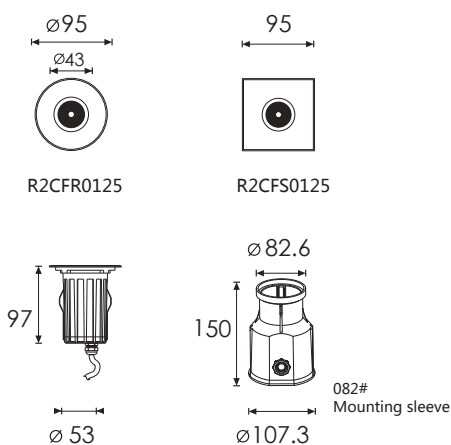


High Luminance Output Inground Flood Light



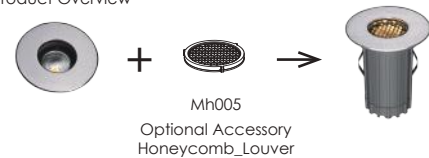
OUTER DIMENSIONS & ACCESSORIES

Unit:mm



OPTIONAL HONEYCOMB LOUVER

Product Overview



LED COLOUR TEMPERATURE

3000K · 6000K

OPTICS



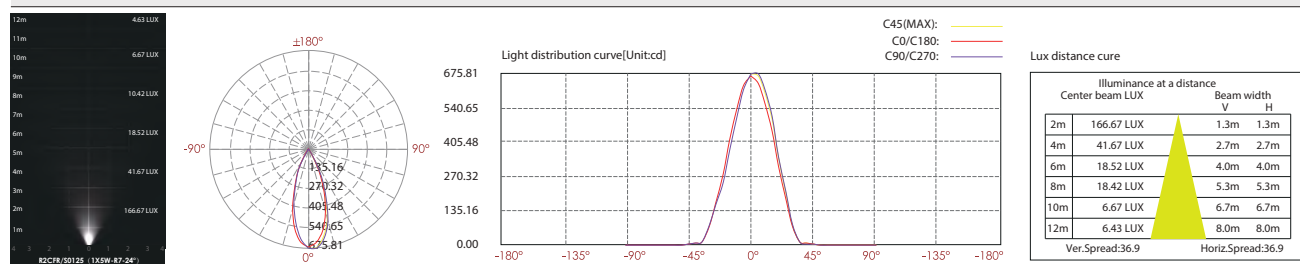
MATERIAL SPECIFICATIONS

HOUSING	12# Die-casting dark grey powder coated aluminum T=60-80µm Adhesion of ISO class 1/ATM class 4B
FRONT COVER	Hard chrome-plated stainless steel SUS 316L#
LIGHT WINDOW	Tempered frosted step glass.T=6mm
REFLECTOR	Optical Reflector efficiency≥90%
LED	NICHIA COB
GLASS PRESSURE CAPACITY	Full Area=1195kgs
CABLE GLAND	IP68 PG-9 PA66
GASKET	Molding shaped seal
LED DRIVER	Constant Voltage Input,Constant Current Output
OPERATING TEMPERATURE	-20°C~40°C
POWER CABLE	H05RN-F 2X1.0mm2 L=0.5m(low voltage) H05RN-F 3X1.0mm2 L=0.5m(high voltage)
MOUNTING SLEEVE	ABS 082#

TECHNICAL DATA

ITEM	LIGHT SOURCE	REFLECTOR	LENS DEGREE(°)Ø1/2	INPUT VOLTAGE(V)	OPERATING CURRENT(MA)	CONSUMPTION(W)	LUMINANCE(LM)	IK
R2CFR0125	1×5W COB	R7	24°	24V DC	24V = 265 120V = 52 240V = 34	24V = 6.3 120V = 6 240V = 6.8	Cool White = 555 Warm White = 441	09
R2CFS0125								

PHOTOMETRIC CURVES

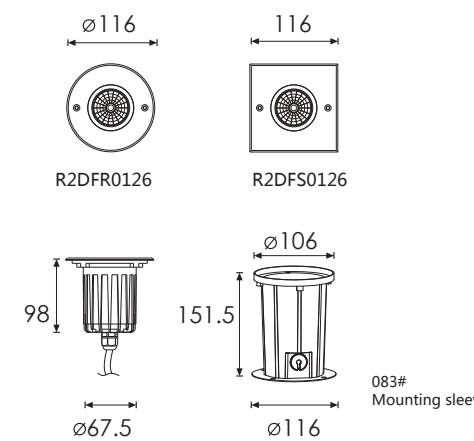


High Luminance Output Inground Flood Light



OUTER DIMENSIONS & ACCESSORIES

Unit:mm



OPTIONAL HONEYCOMB LOUVER

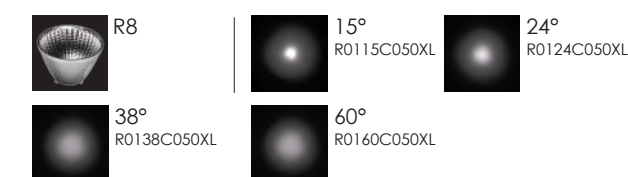
Product Overview



LED COLOUR TEMPERATURE

3000K · 6000K

OPTICS



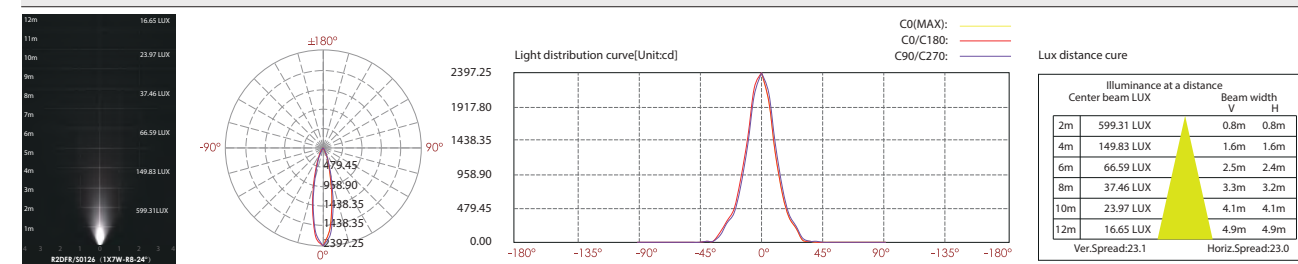
MATERIAL SPECIFICATIONS

HOUSING	12# Die-casting dark grey powder coated aluminum T=60-80µm Adhesion of ISO class 1/ATM class 4B
FRONT COVER	Hard chrome-plated stainless steel SUS 316L#
LIGHT WINDOW	Tempered frosted step glass.T=8mm
REFLECTOR	Optical Reflector efficiency≥90%
LED	NICHIA COB
GLASS PRESSURE CAPACITY	Full Area=2526kgs
CABLE GLAND	IP68 PG-9 PA66
GASKET	Molding shaped seal
LED DRIVER	Constant Voltage Input,Constant Current Output
OPERATING TEMPERATURE	-20°C~40°C
POWER CABLE	H07RN-F 2X1.0mm2 L=0.5m(low voltage) H07RN-F 3X1.0mm2 L=0.5m(high voltage)
MOUNTING SLEEVE	ABS 067#

TECHNICAL DATA

ITEM	LIGHT SOURCE	REFLECTOR	LENS DEGREE(°)Ø1/2	INPUT VOLTAGE(V)	OPERATING CURRENT(MA)	CONSUMPTION(W)	LUMINANCE(LM)	IK
R2DFR0126	1×7W COB	R8	24°	24V DC	24V = 324 120V = 72 240V = 40	24V = 7.7 120V = 8.5 240V = 8.5	Cool White = 921 Warm White = 744	09
R2DFS0126								

PHOTOMETRIC CURVES

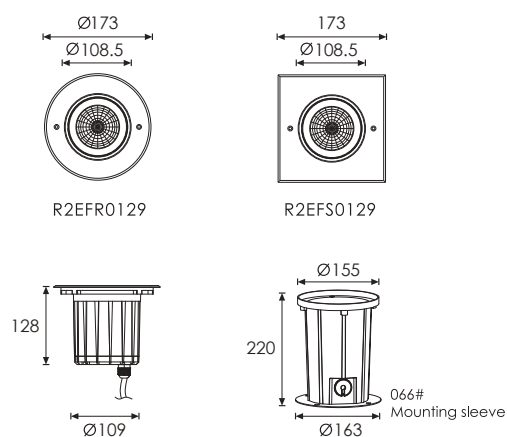


High Luminance Output Inground Flood Light

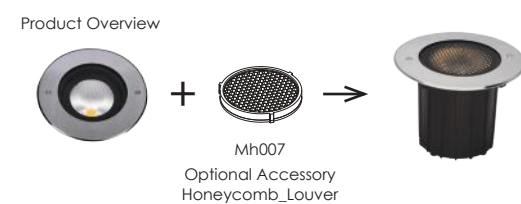


OUTER DIMENSIONS & ACCESSORIES

Unit:mm



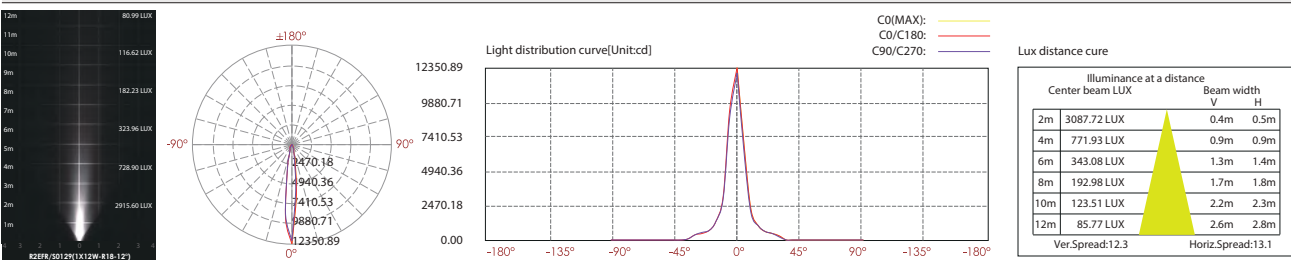
OPTIONAL HONEYCOMB LOUVER



TECHNICAL DATA

ITEM	LIGHT SOURCE	REFLECTOR	LENS DEGREE(°)Ø1/2	INPUT VOLTAGE(V)	OPERATING CURRENT(MA)	CONSUMPTION(W)	LUMINANCE(LM)	IK
R2EFR0129	1x12W COB	R18	22°	24V DC	24V = 529 120V = 102 240V = 64	24V = 12.7 120V = 14 240V = 14	Cool White = 1357 Warm White = 1230	10
R2EFS0129								

PHOTOMETRIC CURVES

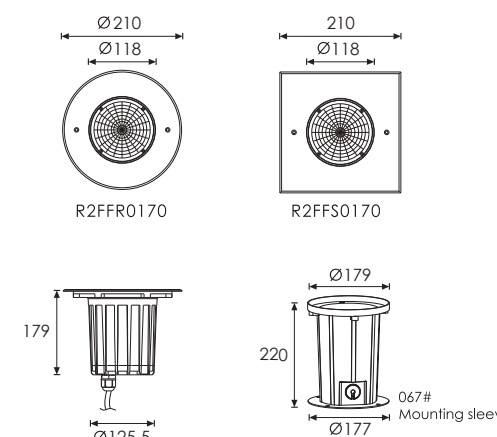


High Luminance Output Inground Flood Light

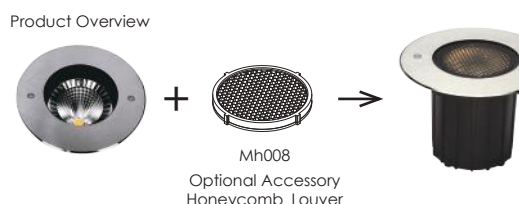


OUTER DIMENSIONS & ACCESSORIES

Unit:mm



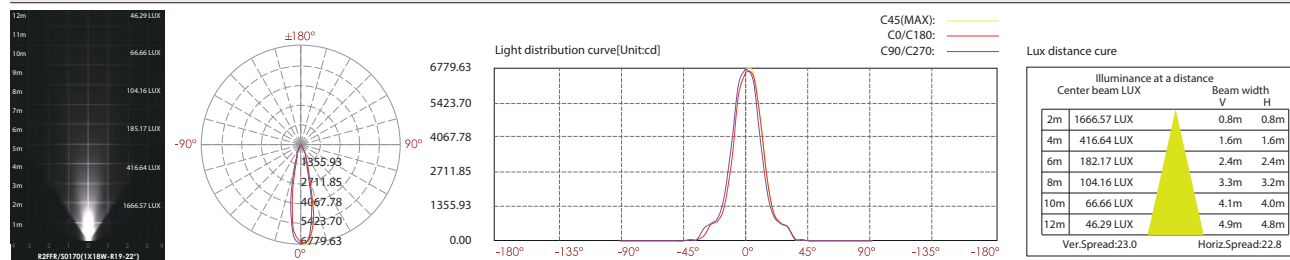
OPTIONAL HONEYCOMB LOUVER



TECHNICAL DATA

ITEM	LIGHT SOURCE	REFLECTOR	LENS DEGREE(°)Ø1/2	INPUT VOLTAGE(V)	OPERATING CURRENT(MA)	CONSUMPTION(W)	LUMINANCE(LM)	IK
R2FFR0170	1x18W COB	R19	22°	24V DC	24V = 700 120V = 160 240V = 85	24V = 17 120V = 18.5 240V = 18.5	Cool White = 1748 Warm White = 1530	10
R2FFS0170								

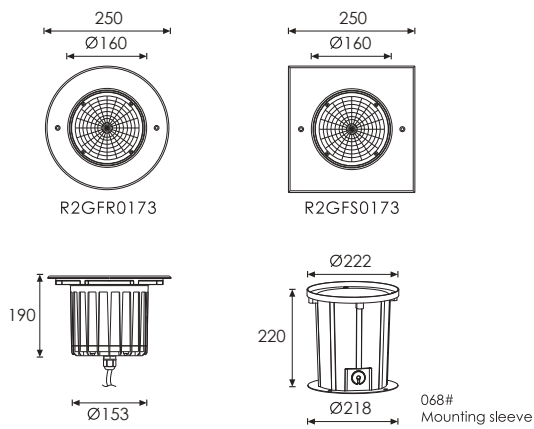
PHOTOMETRIC CURVES



High Luminance Output Inground Flood Light

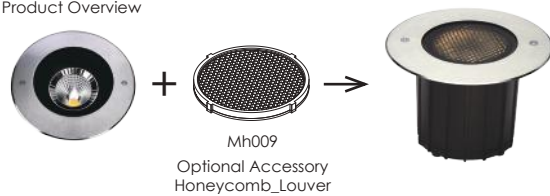


OUTER DIMENSIONS & ACCESSORIES Unit:mm



OPTIONAL HONEYCOMB LOUVER

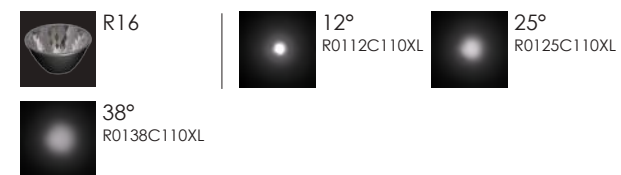
Product Overview



LED COLOUR TEMPERATURE

3000K · 6000K

OPTICS



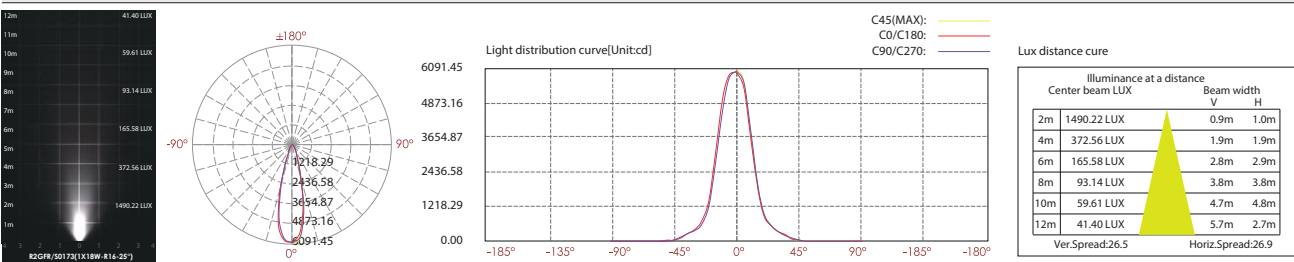
MATERIAL SPECIFICATIONS

- HOUSING** | 12# Die-casting dark grey powder coated aluminum
T=60-80µm Adhesion of ISO class 1/ATM class 4B
- FRONT COVER** | Hard chrome-plated stainless steel SUS 316L#
- LIGHT WINDOW** | Tempered frosted step glass,T=10mm
- REFLECTOR** | Optical Reflector efficiency≥90%
- LED** | NICHIA COB
- GLASS PRESSURE CAPACITY** | Full Area=5016kgs
- CABLE GLAND** | IP68 PG-13.5 PA66
- GASKET** | Molding shaped seal
- LED DRIVER** | Constant Voltage Input,Constant Current Output
- OPERATING TEMPERATURE** | -20°C~40°C
- POWER CABLE** | H07RN-F 2X1.5mm² L=0.5m(low voltage)
H07RN-F 3X1.5mm² L=0.5m(high voltage)
- MOUNTING SLEEVE** | ABS 068#

TECHNICAL DATA

ITEM	LIGHT SOURCE	REFLECTOR	LENS DEGREE(°)Ø1/2	INPUT VOLTAGE(V)	OPERATING CURRENT(MA)	CONSUMPTION(W)	LUMINANCE(LM)	IK
R2GFR0173	1×25W COB	R16	12°	24V DC	24V = 1040 120V = 240	24V = 25 120V = 28	Cool White = 2365 Warm White = 1849	10
R2GFS0173				120/240	240V = 130	240V = 28		

PHOTOMETRIC CURVES

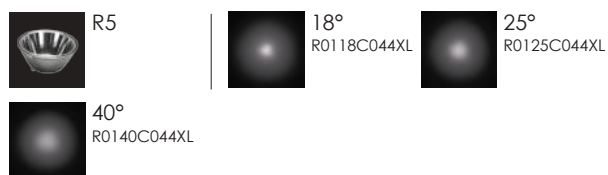


Recessed Inground Light

Stainless steel front cover with Matte Surface treatment



OPTICS



LED COLOUR TEMPERATURE

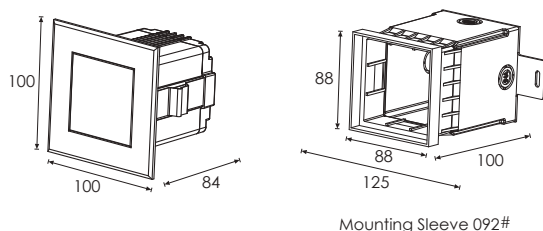
3000K · 6000K

MATERIAL SPECIFICATIONS

- HOUSING** | 12# Die-casting grey powder coated aluminum
T=60-80um Adhesion of ISO class 1/ASTM class 4B
- FRONT COVER** | Hard chromeplated stainless steel SUS 316#
- LIGHT WINDOW** | Tempered frosted step glass.T=8mm
- LED** | NICHIA COB LED
- CABLE GLAND** | IP67 copper and nicked coated
- GASKET** | Molding shaped silicone seal
- LED DRIVER** | Constant Voltage Input,Constant Current Output
- OPERATING TEMPERATURE** | -20°C~40°C
- POWER CABLE** | H05RN-F 2×1.0mm² L=0.5(low voltage)
H05RN-F 3×1.0mm² L=0.5(high voltage)
- MOUNTING SLEEVE** | ABS 092#

OUTER DIMENSIONS & ACCESSORIES

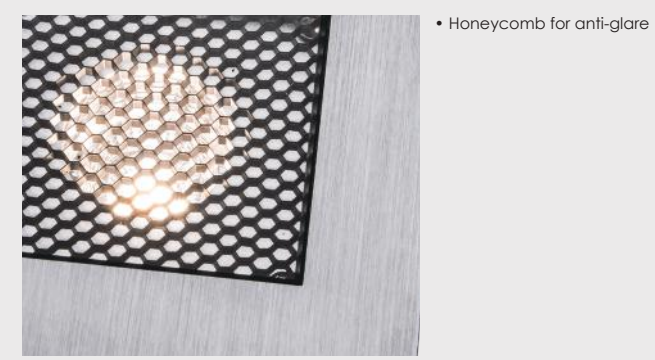
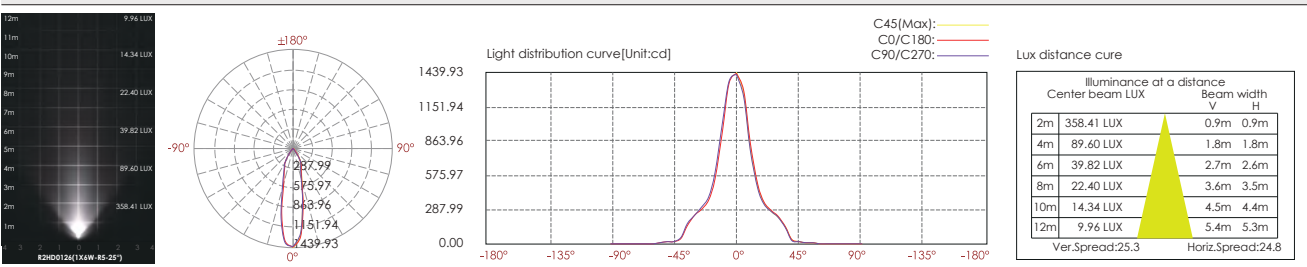
Unit:mm



TECHNICAL DATA

ITEM	LIGHT SOURCE	REFLECTOR	LENS DEGREE(°)Ø1/2	INPUT VOLTAGE(V)	OPERATING CURRENT(MA)	CONSUMPTION(W)	LUMINANCE(LM)	IK
R2HD0126	1×6W	R5	25°	24V DC 120/240	24V = 300 120V = 65 240V = 37	24V = 7.2 120V = 7.7 240V = 7.8	Cool White = 648 Warm White = 507	07

PHOTOMETRIC CURVES



- There are two metals support plate on the bottom of the sleeve. It is used for fixing and preventing the mounting sleeve shifting while filling the concrete.
- These will simply installer and electrician while they are recessing the sleeves.

OPTIONAL HONEYCOMB LOUVER

